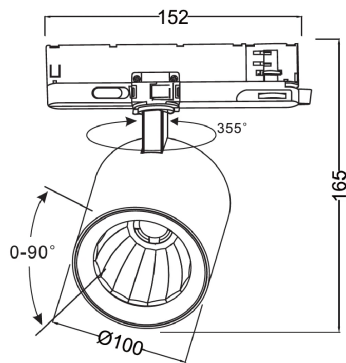


Track light LUMICANTO 12-42W CCT 36/60° black PRIME



Customize the light to your needs.

Lumicanto luminaires in the 12-242W version feature a wide range of versions available in a single luminaire. Thanks to the possibility of adjusting the colour temperature in the range: 3000K / 4000K / 6000K , 16 different power settings in the range: 12-42W and the 2 types of reflector available as a set: 36 and 60° offers 96 different setting versions. The colour temperature is adjusted using a switch on the power supply. Power is set via a DIP Switch also located on the power supply, which can be accessed quickly and easily by simply lifting the safety cover. Thanks to their versatility in terms of colour, power and beam angle, luminaires from the LUMICANTO series are ideal for illuminating office spaces, shopping malls, museums and modern interior design.

The high Ra>90 coefficient is ideal for displaying illuminated surfaces and objects, ensuring faithful colour rendering. The highest-quality components used, such as didoy Bridgelux and the KGP power supply, guarantee high luminous efficacy and durability



Lamp's diameter



Voltage range and voltage type



IEC protection class



Material (housing)



LED type



LED quantity



IP protection rating



Beam angle



Ambient temperature suitable for operation



IK protection rating



Material (cover)



Lifespan



Power Factor

Parameter	Value
Luminous efficacy	do 120 lm/W
Power	12-42 W
Colour of the light	White
Energy efficiency class 2019/2015	E
Luminous flux	1300-4300 lm
Correlated colour temperature	3000-4000-6000 K
Colour consistency in McAdam ellipses	≤6
IP protection rating	20
Warranty (years)	5
Survival factor	0,9
Lifetime L70B50	50 000

Parameter	Value
LED type	COB-Bridgelux
LED quantity	1
Lifespan	50000
Power Factor	>0.9
Number of on/off cycles	25000
Ambient temperature suitable for operation	5÷40 °C
For indoor use	Inside
IEC protection class	II
IK protection rating	06
Full box quantity	20 szt. pc
Lamp's warm-up time to 60%	1

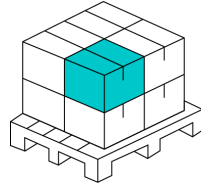
Mounting type	3 phase rail
Supply voltage range and voltage type	220-240 VAC
Frequency of the supply voltage	50/60Hz
Colour rendering index Ra	90
Colour	Black
The lumen maintenance factor	0,9 %
Lamp's diameter	100
Beam angle	60/36 °
Material (cover)	clear glass
Material (housing)	aluminum

Width	152 mm
Height	165 mm
Product weight with packaging	770 g
EPREL ID	2154 362
Is the product equipped with an integrated light source? (EPREL)	Yes
Non-directional or directional light source (EPREL)	NDLS
Mains or non- mains light source (EPREL)	NMLS
Connected light source (EPREL)	No
Colour-tuneable light source (EPREL)	No

Single packaging



Bulk packaging



Outer box quantity

20 pcs.

Europallet

